

SIGNATURE CLOSET POLE
300.3044.[FIN]

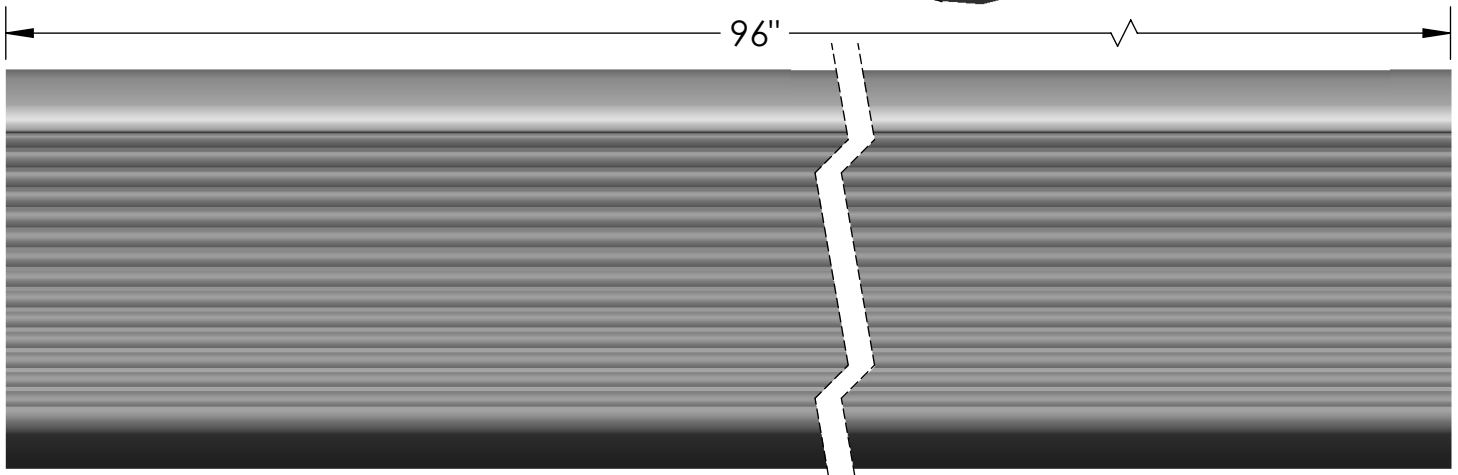
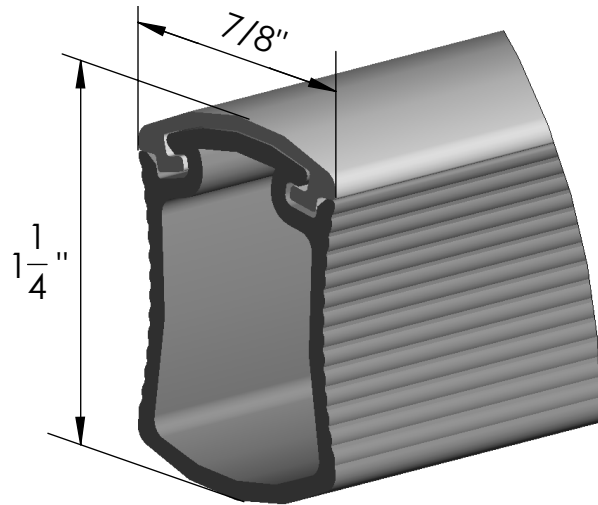
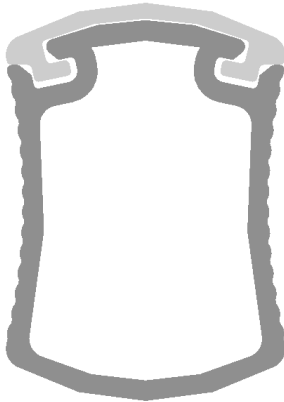
DESCRIPTION & SPECIFICATIONS

The SIGNATURE Closet Pole provides classic functionality with modern styling for a fresh look. Features a capped top for smooth and quiet operation.

SIZE & CAPACITY | 96"

AVAILABLE FINISHES | 

Matte Aluminum, Polished Chrome, Matte Nickel, Oil Rubbed Bronze, Matte Brass, Polished Brass.



INSTRUCTIONS & SPECIFICATIONS

- STEP 1: Cut the closet pole to suit the application.
- STEP 2: Mount pole cup base at the desired height.
- STEP 3: Insert both ends of the pole into the Pole Cups.
- STEP 4: Drop the pole and cups into the mounting bases from above.
- Use 2 SIGNATURE Pole Cups 300.3036 to mount

FINISH	CODE (FIN)
MATTE ALUMINUM	MAL
POLISHED CHROME	CR
MATTE NICKEL	MNL
OIL RUBBED BRONZE	ORB
MATTE BRASS	MBS
POLISHED BRASS	BS

SIGNATURE POLE CUPS
300.3036.[FIN]

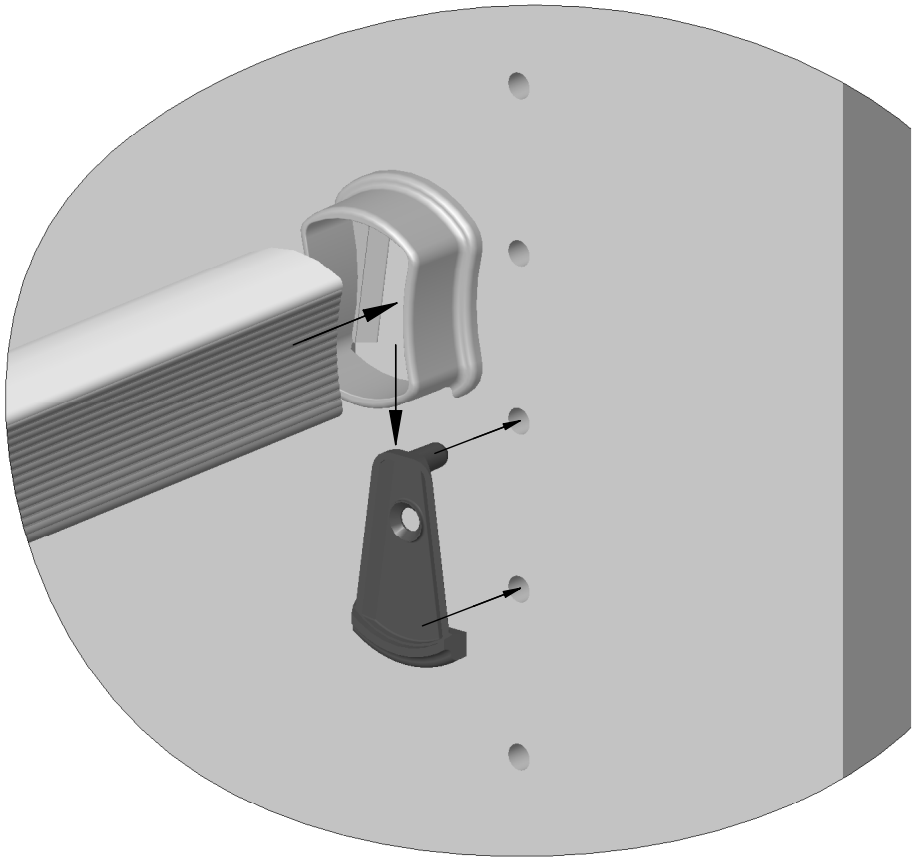
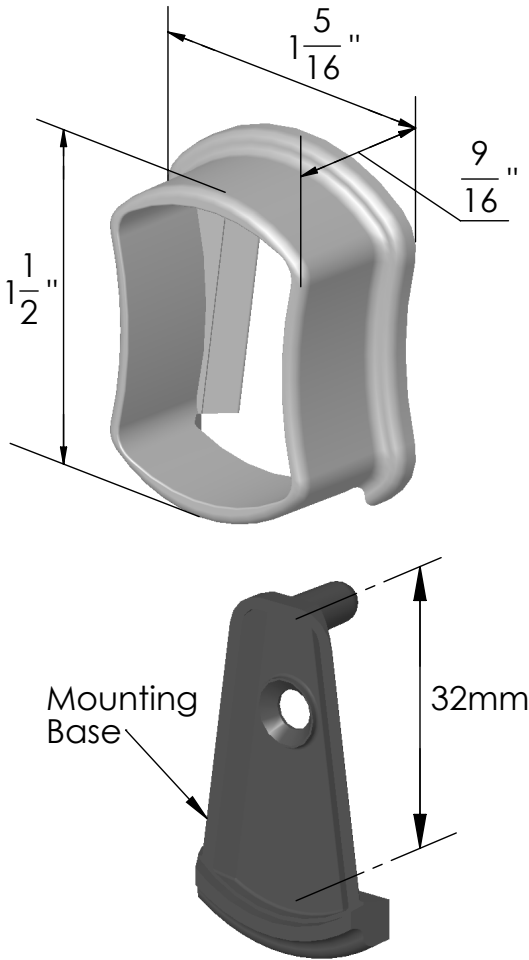
DESCRIPTION & SPECIFICATIONS

SIGNATURE pole cups feature a patented design that completely covers the ends of the Signature Pole, and requires no additional hardware to install.

SIZE & CAPACITY | One Size

AVAILABLE FINISHES | 

Matte Aluminum, Polished Chrome, Matte Nickel, Oil Rubbed Bronze, Matte Brass, Polished Brass.



INSTRUCTIONS & SPECIFICATIONS

- STEP 1: Remove the mounting bases from the pole cups.
 - STEP 2: Mount the bases into the system holes at the desired height.
 - STEP 3: Place the cups onto the end of the closet pole.
 - STEP 4: Drop the pole with cups down into the mounting bases.
- Use 2 to mount SIGNATURE Closet Pole 300.3044

FINISH	CODE (FIN)
MATTE ALUMINUM	MAL
POLISHED CHROME	CR
MATTE NICKEL	MNL
OIL RUBBED BRONZE	ORB
MATTE BRASS	MBS
POLISHED BRASS	BS

SIGNATURE SUSPENDED CUPS/CENTERS
300.3038.[FIN] | 300.3039.[FIN]

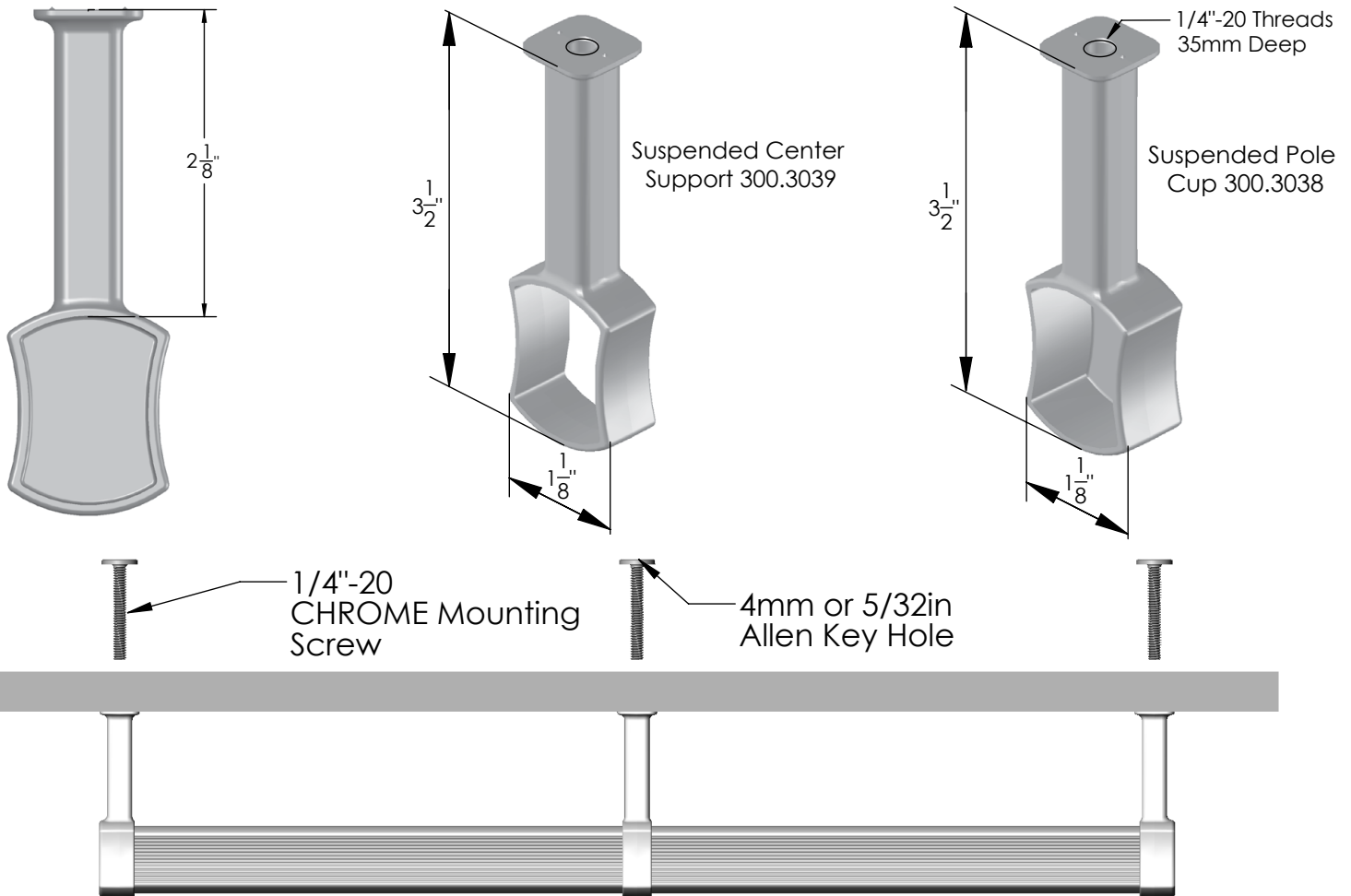
DESCRIPTION & SPECIFICATIONS

SIGNATURE Suspended Pole Cups and Center Supports allow the pole to be suspended 2¹/₈" from a panel above. Cups are closed on both ends.

SIZE & CAPACITY | 2¹/₈" (from panel to top of suspended pole)

AVAILABLE FINISHES | 

Matte Aluminum, Polished Chrome, Matte Nickel, Oil Rubbed Bronze Polished Brass.



INSTRUCTIONS & SPECIFICATIONS

- STEP 1: Pre-drill 5mm holes for the pole cups and center supports if using.
- STEP 2: Mount first pole cup and slide center support onto pole if using.
- STEP 3: Insert one end of pole into the mounted cup and place the second cup over the other end, and install. Install center support if using.
- STEP 4: Install center support and second pole cup with pole inserted.

- Use 2 cups to mount SIGNATURE Closet Pole 300.3044

FINISH	CODE (FIN)
MATTE ALUMINUM	MAL
POLISHED CHROME	CR
MATTE NICKEL	MNL
OIL RUBBED BRONZE	ORB
POLISHED BRASS	BS